

H PARTS LIST

PRIMAAX® EX / PRIMAAX® Rear Air Suspension for Kenworth Vehicles

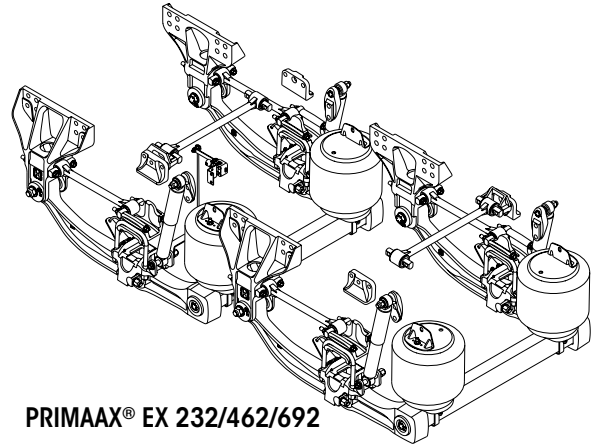
LIT NO: SP-225

DATE: November 2014

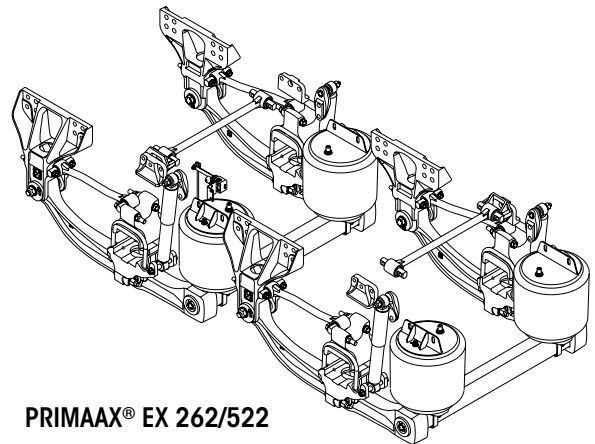
REVISION: E

CONTENTS

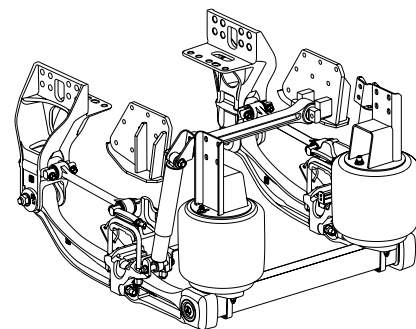
DESCRIPTION	PAGE
Technical Notes	2
Selection Guides	3-4
• Bottom Cap, Longitudinal Torque Rod Assembly, Torque Rod Spacer and Top Pad	
Severe Service Kits	5
U-beam Assembly Enhancement Aftermarket Service Kit	5
PARTS LISTS	
PRIMAAX EX	
• 232/462/692	6
• 262/522	8
• 262S/522S	10
• 232T/262T	12
PRIMAAX	
• 230/460/690	14
• 260/520	16
U-beam Assembly, Support Beam and Cross Tube Assembly Replacement Guide	18
Special Tools	19



PRIMAAX® EX 232/462/692



PRIMAAX® EX 262/522



PRIMAAX® EX 232T / 262T



■ Technical Notes

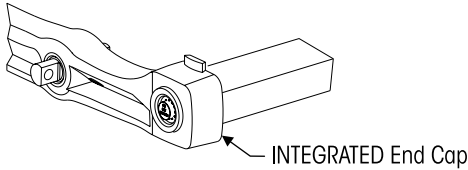
The following information is intended to assist in determining which suspension is equipped on the vehicle. As an example, in Figures 1 and 2, the end cap / frame hanger help identify whether the suspension is current model PRIMAAX EX or the previous production model PRIMAAX.

FIGURE 1

PRIMAAX EX or PRIMAAX

PRIMAAX EX

Enhanced U-beam Assembly with Integrated End Cap



PRIMAAX

Support Beam with End Cap

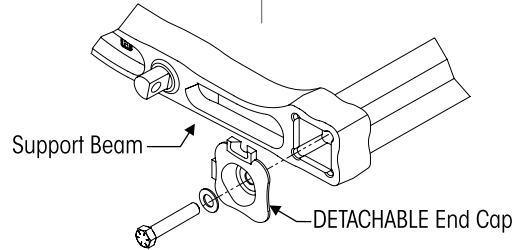


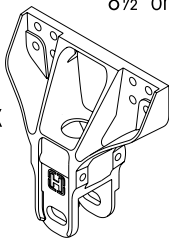
FIGURE 2

RIDE HEIGHT

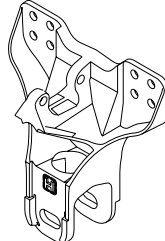
• Frame Hangers

8½" or 10" Ride Height

PRIMAAX EX



PRIMAAX



15½" Ride Height

PRIMAAX EX
232T/262T/
462T/522T

WITH

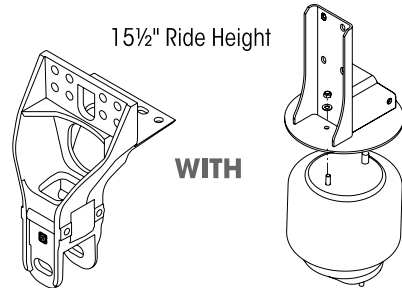
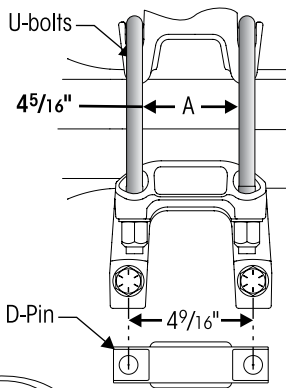


FIGURE 3

SUSPENSION RATING / CAPACITY

PRIMAAX EX 232/462/692
PRIMAAX 230/460/690

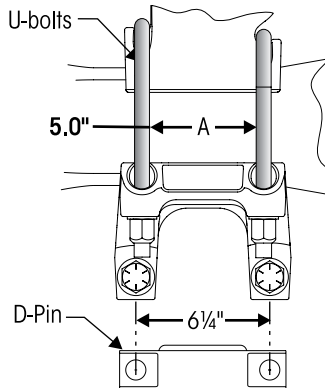
▪ Distance Between U-bolts — 4⁵/₁₆"



Air Spring Assembly

PRIMAAX EX 262/522
PRIMAAX 260/520

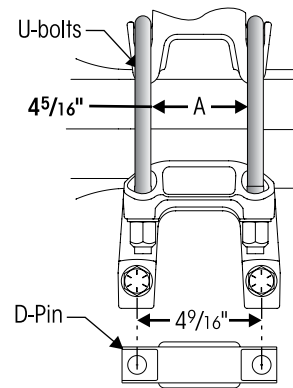
▪ Distance Between U-bolts — 5.0"



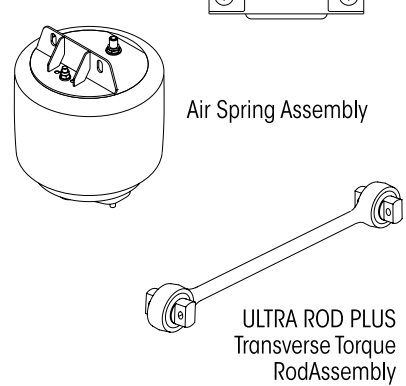
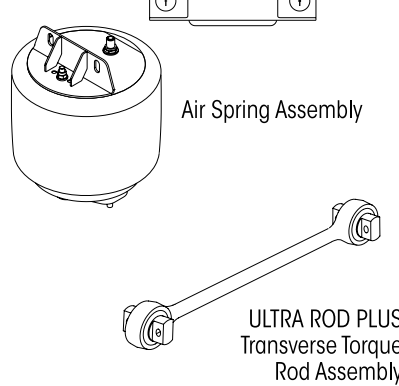
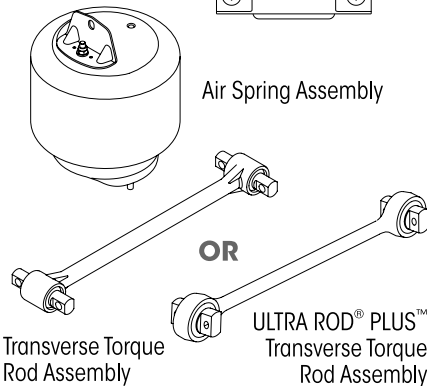
Air Spring Assembly

PRIMAAX EX 262S/522S

▪ Distance Between U-bolts — 4⁵/₁₆"



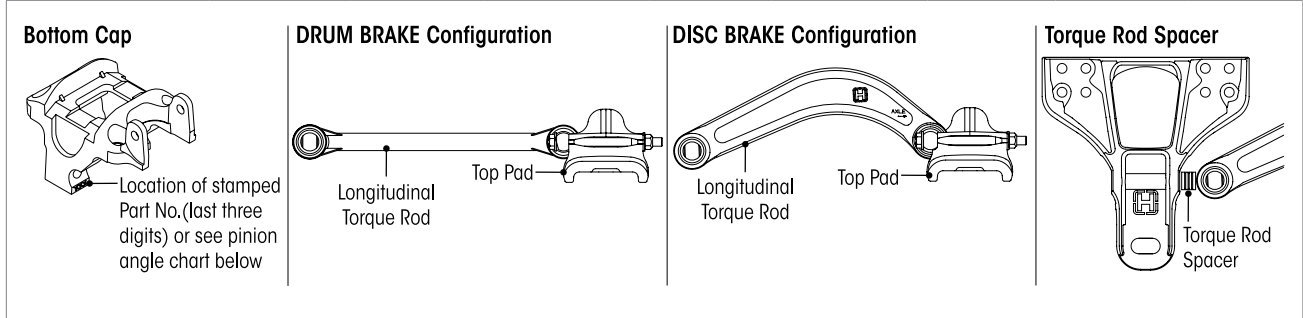
Air Spring Assembly





■ Bottom Cap • Longitudinal Torque Rod Assembly • Top Pad • Torque Rod Spacer

PRIMAAX EX 232/462/692/262S/522S • PRIMAAX 230/460/690



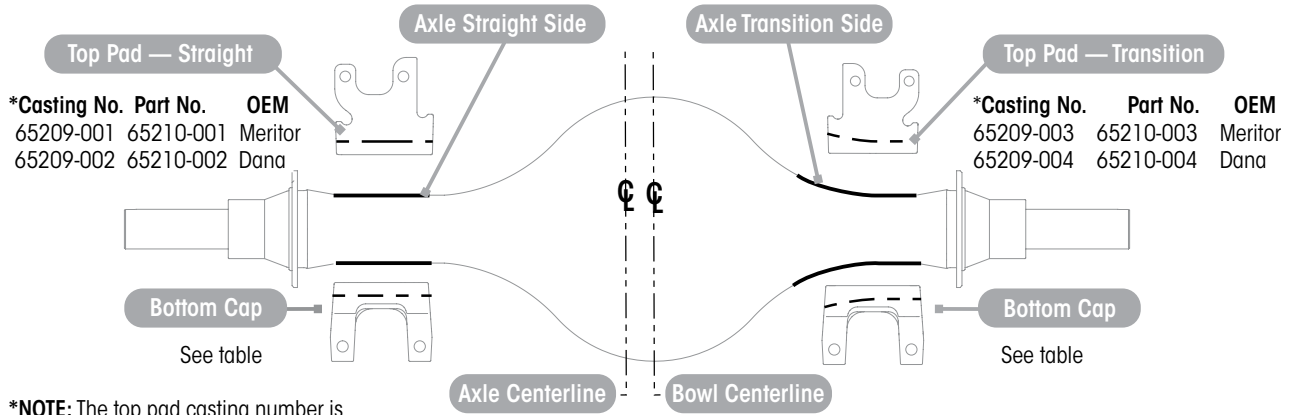
Pinion Angle	DRUM BRAKES				DISC BRAKES								
	PRIMAAX 230/460/690		PRIMAAX EX 232/462/692/262S/522S		PRIMAAX EX 232/462/692/262S/522S								
	Page 15		Pages 7 and 11		Pages 7 and 11								
Pinion Angle	Bottom Cap	Longitudinal Torque Rod Assembly	Bottom Cap	*Longitudinal Torque Rod Assembly	Bottom Cap	*Longitudinal Torque Rod Assembly	Top Pad	**Torque Rod Spacer (in mm)	D-Pin Bolt Length				
FORWARD REAR													
1.5°	—	—	60556-035	67428-425	60556-035	67219-435	65289-003 (LH)	—	4.75"				
2.0°	—	—	60556-040		60556-040			—					
2.5°	60556-025	60827-605A (LH)	60556-025	60556-025	65289-004 (RH)								
3.0°	60556-030		60556-030	60556-030									
3.5°	60556-035		60556-035	60556-035	9.0								
4.0°	60556-040	60827-605B (RH)	60556-040	60556-040	67428-435		60556-040						
4.5°	60556-045		60556-045	60556-045									
5.0°	60556-050		60556-050	60556-050									
5.5°	60556-055	60556-055	60556-055	60556-055									
REAR REAR													
6.0°	60556-060	60827-605A	60556-060	67428-435	60556-025	67219-435	65289-000	15.0	4.75"				
6.5°	60556-065	60827-605B	60556-065		60556-035								
7.0°	60556-110	64717-620A (LH)	60556-040	67428-450	60556-040			60556-045	60556-050	25.0	5.00"		
7.5°	60556-115		60556-045		60556-045								
8.0°	60556-120		60556-050		60556-050								
8.5°	60556-125	64717-620B (RH)	60556-110	67428-460	60556-110			60556-115	60556-120	25.0	5.00"		
9.0°	60556-130		60556-115		60556-115								
9.5°	60556-135		60556-120		60556-120								
10.0°	60556-100	60827-645A (LH)	60556-100	67428-475	60556-100			67219-475	60556-105	—	4.75"		
10.5°	60556-105		60556-105		60556-105								
11.0°	60556-110		60556-110		60556-110								
11.5°	60556-115		60556-115		60556-115								
12.0°	60556-120		60556-120		60556-120								
12.5°	60556-125		60556-125		60556-125								
13.0°	60556-130		60827-645B (RH)		60556-130	60556-130	60556-125					60556-125	5.00"
13.5°	60556-135				60556-135	60556-135	60556-130					60556-130	5.25"
14.0°	60556-140				60556-140	60556-140	60556-135					60556-135	
14.5°	60556-145		60556-145		60556-145	60556-140	60556-140						

* Non-serviceable torque rod bushings, requires replacement of complete torque rod assembly with bushings.
 ** Not supplied by Hendrickson, used for reference only. Refer to the vehicle manufacturer for more information.



■ Bottom Cap and Top Pad

Pages 9 & 17 **PRIMAAX EX 262/522 • PRIMAAX 260/520**



BOTTOM CAP PART NUMBER							
Beam Centers	Axle Manufacturer	TANDEM				SINGLE	
		Straight Side		Transition Side		Straight Side	Transition Side
		FRONT	REAR	FRONT	REAR		
40.0"	MERITOR	65208-101	65208-103	65208-106	65208-109	65208-101	65208-105
	DANA	65208-102	65208-104	65208-108	65208-111	Contact Hendrickson for Part Nos.	

■ Longitudinal Torque Rod • Top Pad

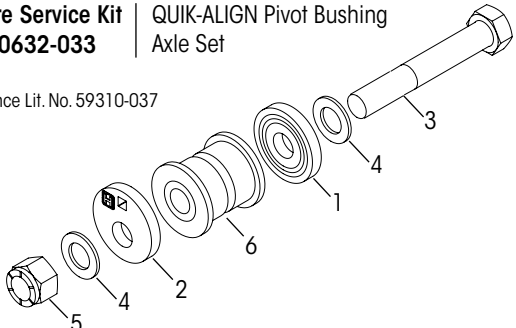
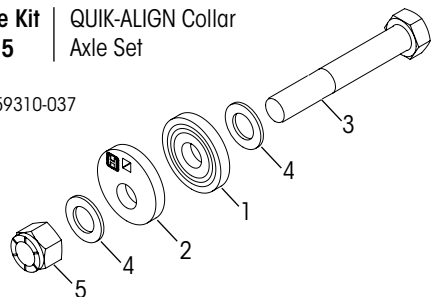
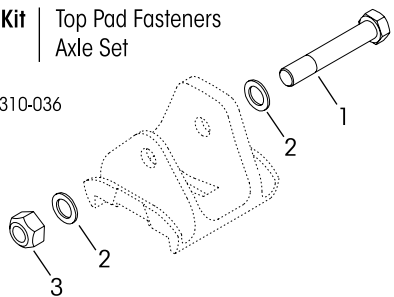
Page 9	PRIMAAX EX 262/522			
Pinion Angle	Axle Manufacturer	*Longitudinal Torque Rod Assembly	Top Pad	
			LEFT	RIGHT
FRONT REAR				
1.5°		65302-460	65210-001	65210-003
2.0°			65210-002	65210-004
2.5° - 3.0°	Dana Meritor	65302-470	65210-002	65210-004
3.5°			65210-001	65210-003
4.0°	Dana Meritor	65302-475	65210-002	65210-004
			65210-001	65210-003
REAR REAR				
9.0° - 9.5°		65302-510	65210-004	65210-002
10°		65302-520	65210-004	65210-002
10.5°	Dana Meritor	65302-515	65210-004	65210-002
		65302-520	65210-003	65210-001
11.0°		65302-520	65210-003	65210-001
11.5°	Dana Meritor	65302-525	65210-004	65210-002
		65302-520	65210-003	65210-001
		65302-525	65210-003	65210-001
12.0°		65302-525	65210-003	65210-001
13.0°		65302-530	65210-003	65210-001

Page 17	PRIMAAX 260/520	
Pinion Angle	Longitudinal Torque Rod Assembly	
	LEFT	RIGHT
2.0° - 3.5°	66359-650A	66359-650B
4.0° - 5.5°	66359-660A	66359-660B
10.0° - 10.5°	66359-585A	66359-585B
11.0° - 11.5°	66359-590A	66359-590B
12.0° - 12.5°	66359-595A	66359-595B

*Non-serviceable torque rod bushings, requires replacement of complete torque rod assembly with bushings.



■ Severe Service Kits

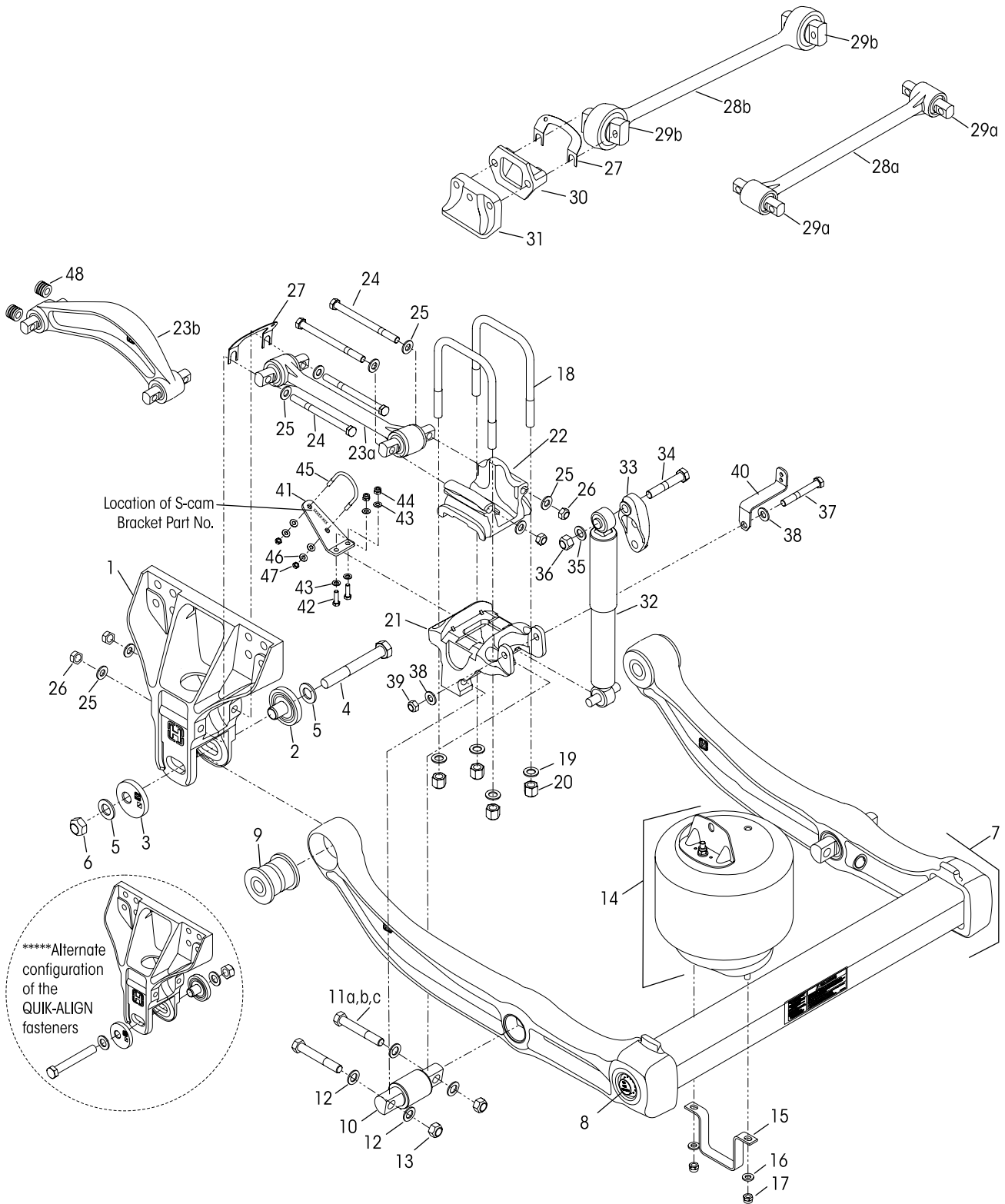
PRIMAAX EX • PRIMAAX SERIES																									
<p>Severe Service Kit No. 60632-033 QUIK-ALIGN Pivot Bushing Axle Set</p> <p>Reference Lit. No. 59310-037</p> 	<p>KIT NO. 60632-033 PRIMAAX EX, PRIMAAX • 8½"-10" Ride Height</p> <table border="1"> <thead> <tr> <th>KEY NO.</th> <th>CONTENTS</th> <th>QTY.</th> </tr> </thead> <tbody> <tr> <td>1</td> <td>QUIK-ALIGN Concentric Collar</td> <td>2</td> </tr> <tr> <td>2</td> <td>QUICK-ALIGN Eccentric Collar</td> <td>2</td> </tr> <tr> <td>3</td> <td>1¼"-12 UNF Bolt - 8.0"</td> <td>2</td> </tr> <tr> <td>4</td> <td>1¼" Hardened Washer</td> <td>4</td> </tr> <tr> <td>5</td> <td>1¼"-12 UNF Nylocknut</td> <td>2</td> </tr> <tr> <td>6</td> <td>QUIK-ALIGN Pivot Bushing</td> <td>2</td> </tr> <tr> <td>7</td> <td>P-80 Bushing Lubricant - 10 ml.</td> <td>per Bushing 1</td> </tr> </tbody> </table>	KEY NO.	CONTENTS	QTY.	1	QUIK-ALIGN Concentric Collar	2	2	QUICK-ALIGN Eccentric Collar	2	3	1¼"-12 UNF Bolt - 8.0"	2	4	1¼" Hardened Washer	4	5	1¼"-12 UNF Nylocknut	2	6	QUIK-ALIGN Pivot Bushing	2	7	P-80 Bushing Lubricant - 10 ml.	per Bushing 1
KEY NO.	CONTENTS	QTY.																							
1	QUIK-ALIGN Concentric Collar	2																							
2	QUICK-ALIGN Eccentric Collar	2																							
3	1¼"-12 UNF Bolt - 8.0"	2																							
4	1¼" Hardened Washer	4																							
5	1¼"-12 UNF Nylocknut	2																							
6	QUIK-ALIGN Pivot Bushing	2																							
7	P-80 Bushing Lubricant - 10 ml.	per Bushing 1																							
<p>Severe Service Kit No. 60632-015 QUIK-ALIGN Collar Axle Set</p> <p>Reference Lit. No. 59310-037</p> 	<p>KIT NO. 60632-015 PRIMAAX EX, PRIMAAX • 8½"-10" Ride Height</p> <table border="1"> <thead> <tr> <th>KEY NO.</th> <th>CONTENTS</th> <th>QTY.</th> </tr> </thead> <tbody> <tr> <td>1</td> <td>QUIK-ALIGN Concentric Collar</td> <td>2</td> </tr> <tr> <td>2</td> <td>QUICK-ALIGN Eccentric Collar</td> <td>2</td> </tr> <tr> <td>3</td> <td>1¼"-12 UNF Bolt - 8.0"</td> <td>2</td> </tr> <tr> <td>4</td> <td>1¼" Hardened Washer</td> <td>4</td> </tr> <tr> <td>5</td> <td>1¼"-12 UNF Nylocknut</td> <td>2</td> </tr> </tbody> </table>	KEY NO.	CONTENTS	QTY.	1	QUIK-ALIGN Concentric Collar	2	2	QUICK-ALIGN Eccentric Collar	2	3	1¼"-12 UNF Bolt - 8.0"	2	4	1¼" Hardened Washer	4	5	1¼"-12 UNF Nylocknut	2						
KEY NO.	CONTENTS	QTY.																							
1	QUIK-ALIGN Concentric Collar	2																							
2	QUICK-ALIGN Eccentric Collar	2																							
3	1¼"-12 UNF Bolt - 8.0"	2																							
4	1¼" Hardened Washer	4																							
5	1¼"-12 UNF Nylocknut	2																							
<p>Severe Service Kit No. 58821-026 Top Pad Fasteners Axle Set</p> <p>Reference Lit. No. 59310-036</p> 	<p>KIT NO. 58821-026 PRIMAAX 230/460/690 • 8½"-10"-12½"-14¾"-15½" Ride Height Does not include Top Pad</p> <table border="1"> <thead> <tr> <th>KEY NO.</th> <th>CONTENTS</th> <th>QTY.</th> </tr> </thead> <tbody> <tr> <td>1</td> <td>M24 x 3.0-6G H-coat Hex Bolt</td> <td>2</td> </tr> <tr> <td>2</td> <td>M24 Hardened Washer</td> <td>4</td> </tr> <tr> <td>3</td> <td>M24 x 3.0-6H Locknuts</td> <td>2</td> </tr> </tbody> </table>	KEY NO.	CONTENTS	QTY.	1	M24 x 3.0-6G H-coat Hex Bolt	2	2	M24 Hardened Washer	4	3	M24 x 3.0-6H Locknuts	2												
KEY NO.	CONTENTS	QTY.																							
1	M24 x 3.0-6G H-coat Hex Bolt	2																							
2	M24 Hardened Washer	4																							
3	M24 x 3.0-6H Locknuts	2																							

■ U-beam Assembly Enhancement Aftermarket Service Kit

PRIMAAX EX SERIES			
U-beam Assembly Enhancement Aftermarket Service Kit No. 69565-001, Axle Set			
PART NO.	DESCRIPTION	QTY.	COMMENTS
69351-000	Sikaflex 221 Polyurethane Sealant, 300 ml Tube	1	In the event any service to the suspension requiring disassembly of a U-beam assembly equipped with integrated end caps, the Loctite 277, tamper resistant caps and Sikaflex 221 polyurethane sealant must be properly installed to ensure components function to their highest efficiency. The enhancement components can be purchased individually or as an aftermarket service kit.
69570-000	Loctite® 277 - 10 ml Bottle	1	
*	Tamper Resistant Cap	2	
*	⅜"-9 UNC 4.0" Hex Bolt	2	
*	⅜" H-Coat Flat Washer	2	
* Item included in assembly / kit only, part not sold separately.			



■ 10" Ride Height





PRIMAAX® EX 232/462/692 for Kenworth Vehicles

KEY NO.	PART NO.	DESCRIPTION	*NO.REQ.	KEY NO.	PART NO.	DESCRIPTION	*NO.REQ.
1	67706-000	EX Frame Hanger	4	22		Top Pad	4
	60961-720	QUIK-ALIGN Pivot Bushing Service Kit, One Wheel End , Includes Key Nos. 2-6, 9, 49			65289-000	Drum Brakes	
	60632-020	QUIK-ALIGN Pivot Bushing Service Kit, Axle Set , Includes Key Nos. 2-6, 9, 49			65289-XXX	Disc Brakes, <i>See Selection Guide on Page 3</i>	
	60632-019	QUIK-ALIGN Collar Service Kit One Wheel End , Includes Key Nos. 2-6		23		Longitudinal Torque Rod Assembly	4
	60632-018	QUIK-ALIGN Fastener Service Kit One Wheel End , Includes Key Nos. 4-6		a	67428-XXX	Drum Brakes, <i>See Selection Guide on Page 3</i>	
2		**QUIK-ALIGN Concentric Collar	4	b	67219-XXX	Disc Brakes, <i>See Selection Guide on Page 3</i>	
3		**QUIK-ALIGN Eccentric Collar	4		49176-032	Longitudinal Torque Rod Fastener Service Kit, One Torque Rod , Includes Key Nos. 24-26	
4		**1.0"-1.4 UNF-2A H-Coat 7½" Hex Bolt	4	24		**¾"-1.1 UNC-2B 8.0" Bolt	16
5		**1.0" H-Coat Flat Washer,	8	25		**¾" Flat Washer	32
6		**1.0"-1.4 UNF-2B H-Coat Locknut	4	26		**¾"-1.1 UNC-2B Locknut	16
7		U-beam Assembly, Includes Key Nos. 9-10		27	49689-000	Shim (As Required)	
	67249-003	Rear	1	28		***Transverse Torque Rod Assembly	2
	67249-004	Front, Middle for Tridem	1	a	67428-565	ULTRA ROD®, Includes Key No. 29a	
8	69565-001	U-beam Assembly Enhancement Aftermarket Service Kit, Axle Set , <i>See page 5 for contents</i>		b	72000-560C	ULTRA ROD® PLUS™, Includes Key No. 29b MANDATORY on vehicles operated in Mexico, otherwise optional	
9		**QUIK-ALIGN Pivot Bushing	4	29		Bushing - Straddle Bar Pin	4
	34013-107	Single D-Pin Bushing Service Kit , Includes Key Nos. 10, 11a, 12-13		a		**ULTRA ROD Bushing	
	34013-116	Includes Key Nos. 10, 11b, 12-13		b	64400-002	ULTRA ROD PLUS Bushing	
	34013-117	Includes Key Nos. 10, 11c, 12-13		30	22186-000	Transverse Torque Rod Frame Bracket	2
10		**D-Pin Bushing	4	31	60593-000	Frame Mounted Axle Stop	4
	56659-009	D-Pin Fastener Service Kit, Axle Set , Includes Key Nos. 11a, 12-13		32		Shock Absorber	4
	56659-013	Includes Key Nos. 11b, 12-13			60657-003	Standard, except Tridem	
	56659-012	Includes Key Nos. 11c, 12-13			70807-001	Heavy-duty, Optional, except Tridem	
11		**¾"-1.6 UNF Bolt	8		60657-005	Tridem Only	
a		Length 5.0"		33	67463-002	Upper Shock Frame Bracket	4
b		Length 5½"			50754-030	Single Shock Fastener Service Kit , Includes Key Nos. 34-39	
c		Length 4¾"		34		**¾"-1.0 UNC 4¼" Upper Shock Bolt	4
12		**¾" Flat Washer	16	35		**¾" Flat Washer	4
13		**¾"-1.6 UNF Locknut	8	36		**¾"-1.0 UNC Locknut	4
	60961-230	Single Air Spring Service Kit , Includes Key Nos. 14-17		37		**¾"-1.1 UNC 6.0" Lower Shock Bolt	4
14	67043-002L	Air Spring Assembly, Includes Upper Frame Bracket	4	38		**¾" Flat Washer	8
15	60911-002	Lower Air Spring Mounting Bracket	4	39		**¾"-1.1 UNC-2B Locknut	4
	49177-006	Lower Air Spring Fastener Service Kit, Single , Includes Key Nos. 16-17		40	60921-000	Height Control Valve Linkage Bracket	1
16		**½" Flat Washer	8	41	64508-XXX	S-cam Support Bracket, <i>See part no. on component</i>	4
17		**½"-1.3 UNC Locknut	8		58821-017	S-cam Fastener Service Kit, Axle Set , Includes Key Nos. 42-47	
	48718-129	U-bolt Service Kit, One Wheel End , Includes Key Nos. 18-20		42		**¾"-1.6 UNC 1¼" Hex Bolt	8
18		**¾" Square U-bolt - Length 8⅞"	8	43		**¾" Hardened Washer	16
19		**¾" Flat Washer	16	44		**¾"-1.6 UNC Locknut	8
20		**¾"-1.6 UNF U-bolt Locknut	16	45		**⅝"-1.6 UNC Locknut	8
21	60556-XXX	Bottom Cap, <i>See Selection Guide on Page 3</i>	4	46		**⅝"-1.8 UNC U-bolt	4
				47		**⅝"-1.8 UNC Hardened Washer	16
				48		**⅝"-1.8 UNC Locknut	8
				49	70867-001	****Torque Rod Spacer <i>See Selection Guide on Page 3</i>	4
						P-80 Bushing Lubricant - 10 ml. per Bushing 1 (not shown)	

NOTES * Quantities specified are shown for tandem suspension. Adjust quantities for single or tridem suspensions. Quantities of service kit components may vary from amount shown in lists.

** Item included in assembly / kit only, part not sold separately.

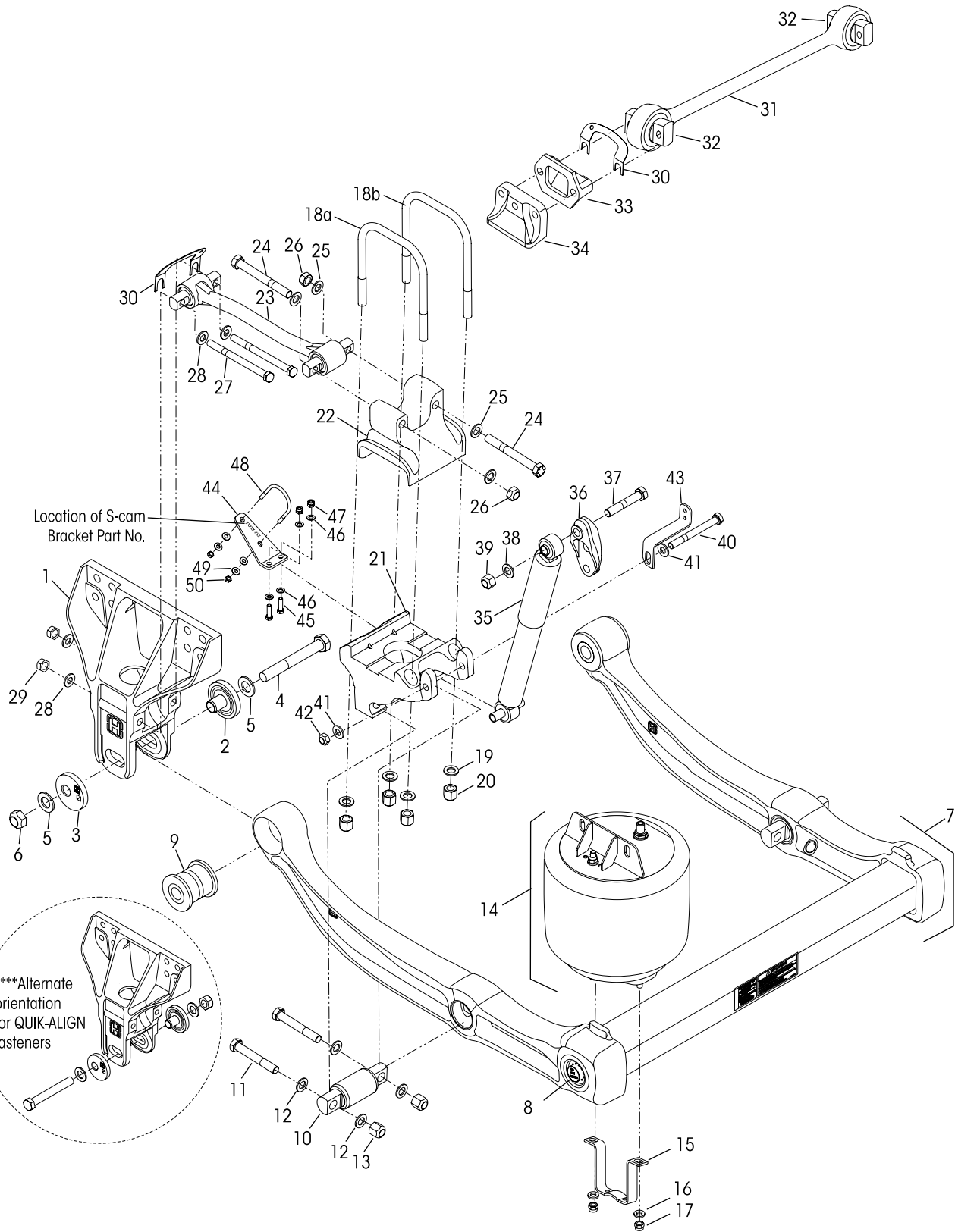
*** Transverse torque rods are mandatory for the PRIMAAX EX•PRIMAAX suspensions regardless of axle spacing, see Lit. No. 59310-004 for more information.

**** Not supplied by Hendrickson, used for reference only. Refer to the vehicle manufacturer for more information.

***** Alternate configuration of the QUIK-ALIGN fasteners. The locknuts located inboard will allow additional clearance for wider tires or tires with chains. Tightening is still required ONLY on the locknut.



■ 10" Ride Height





KEY NO.	PART NO.	DESCRIPTION	*NO.REQ.	KEY NO.	PART NO.	DESCRIPTION	*NO.REQ.
1	67706-000	EX Frame Hanger	4	22	65210-XXX	Top Pad, <i>See illustration and Selection Guide on Page 4</i>	4
	60961-720	QUIK-ALIGN Pivot Bushing Service Kit, One Wheel End , Includes Key Nos. 2-6, 9, 51		23	65302-XXX	Longitudinal Torque Rod Assembly, <i>See Selection Guide on Page 4</i>	4
	60632-020	QUIK-ALIGN Pivot Bushing Service Kit, Axle Set , Includes Key Nos. 2-6, 9, 51			58821-033	Longitudinal Torque Rod Bolt Service Kit, One Torque Rod , Includes Key Nos. 24-29	
	60632-019	QUIK-ALIGN Collar Service Kit One Wheel End , Includes Key Nos. 2-6		24	**3/4"-16 UNF 6.0" Hex Bolt		8
	60632-018	QUIK-ALIGN Fastener Service Kit One Wheel End , Includes Key Nos. 4-6		25	**3/4" Flat Washer		16
2		**QUIK-ALIGN Concentric Collar	4	26	**3/4"-16 UNF Locknut		8
3		**QUIK-ALIGN Eccentric Collar	4	27	**5/8"-11 UNF 8.0" Hex Bolt		8
4		**1.0"-14 UNF-2A H-Coat 7 1/2" Hex Bolt	4	28	**5/8" Flat Washer		16
5		**1.0" H-Coat Flat Washer	8	29	**5/8"-11 UNC Locknut		8
6		**1.0"-14 UNF-2B H-Coat Locknut	4	30	49689-000	Shim (As Required)	
7		U-beam Assembly, Includes Key Nos. 9-10		31	72000-560C	***ULTRA ROD® PLUS™ Transverse Torque Rod Assembly, Includes Bushing	2
	67249-006	Front	1	32	64400-002	ULTRA ROD PLUS Bushing - Straddle Bar Pin	4
	67249-005	Rear	1	33	22186-000	Transverse Torque Rod Frame Bracket	2
8	69565-001	U-beam Assembly Enhancement Aftermarket Service Kit, Axle Set , <i>See page 5 for contents</i>		34	60593-000	Frame Mounted Axle Stop	4
9		**QUIK-ALIGN Pivot Bushing	4	35	60665-013	Shock Absorber	4
	34013-114	Single D-Pin Bushing Service Kit , Includes Key Nos. 10-13		36	67463-002	Upper Shock Frame Bracket,	4
10		**D-Pin Bushing	4		50754-029	Single Shock Fastener Service Kit , Includes Key Nos. 37-42	
	56659-010	D-Pin Fastener Service Kit, Axle Set Includes Key Nos. 11-13		37	**3/4"-10 UNC 4 1/4" Upper Shock Bolt		4
11		**7/8"-14 UNF 5.0" Bolt	8	38	**3/4" Flat Washer		4
12		**7/8" Flat Washer	16	39	**3/4"-10 UNC Locknut		4
13		**7/8"-14 UNF Locknut	8	40	**5/8"-11 UNC 7.0" Lower Shock Bolt		4
	60961-744	Single Air Spring Service Kit , Includes Key Nos. 14-17		41	**5/8" Flat Washer		8
14	67247-002	Air Spring Assembly, Includes Upper Frame Bracket	4	42	**5/8"-11 UNC Locknut		4
15	60911-002	Lower Air Spring Mounting Bracket	4	43	60921-000	Height Control Valve Linkage Bracket	2
	49177-006	Lower Air Spring Fastener Service Kit, Single , Includes Key Nos. 16-17			58821-034	S-cam Fastener Service Kit, Axle Set , Includes Key Nos. 44a, 45-50	
16		**1/2" Flat Washer	8		58821-031	Includes Key Nos. 44b, 45-50	
17		**1/2"-13 UNC Locknut	8	44		S-cam Support Bracket, <i>See part no. on component</i>	4
	48718-120	U-bolt Service Kit, One Wheel End , Includes Key Nos. 18a-b, 19-20		a	64508-005	For Dana Axle	
18		**3/4" Square U-bolt	8	b	64508-003	For Meritor Axle	
a		Outboard - Length 10.0"		45	**3/8"-16 UNC 1 1/2" Hex Bolt		8
b		Inboard - Length 10 1/2"		46	**3/8" Hardened Washer		16
19		**3/4" Flat Washer	16	47	**3/8"-16 UNC Locknut		8
20		**3/4"-16 UNF U-bolt Locknut	16	48	**5/16" S-Cam U-bolt		4
21	65208-XXX	Bottom Cap, <i>See Selection Guide on Page 4</i>	4	49	**5/16" Hardened Washer		16
				50	**5/16"-18 UNC Locknut		8
				51	70867-001	P-80 Bushing Lubricant - 10 ml. per Bushing 1 (not shown)	

NOTES * Quantities specified are shown for tandem suspension. Adjust quantities for single or tridem suspensions. Quantities of service kit components may vary from amount shown in lists.

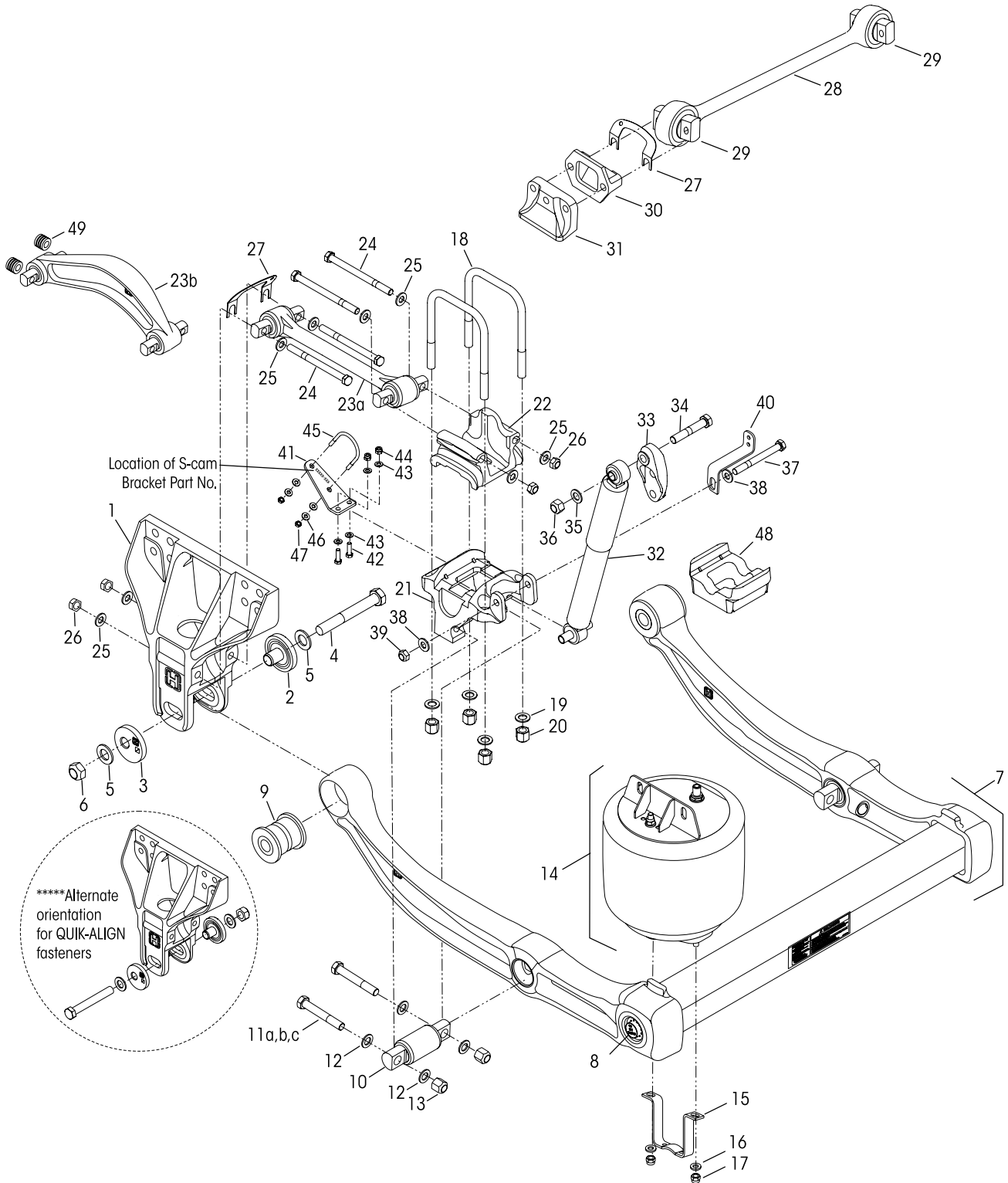
** Item included in assembly / kit only, part not sold separately.

*** Transverse torque rods are mandatory for the PRIMAAX EX-PRIMAAX suspensions regardless of axle spacing, see Lit. No. 59310-004 for more information.

**** Alternate configuration of the QUIK-ALIGN fasteners. The locknuts located inboard will allow additional clearance for wider tires or tires with chains. Tightening is still required ONLY on the locknut.



■ 8½" and 10" Ride Height





PRIMAAX® EX 262S / 522S for Kenworth Vehicles

KEY NO.	PART NO.	DESCRIPTION	*NO.REQ.	KEY NO.	PART NO.	DESCRIPTION	*NO.REQ.
1	67706-000	EX Frame Hanger	4	19		**3/4" Flat Washer	16
	60961-720	QUIK-ALIGN Pivot Bushing Service Kit, One Wheel End , Includes Key Nos. 2-6, 9, 51		20		**3/4"-16 UNF U-bolt Locknut	16
	60632-020	QUIK-ALIGN Pivot Bushing Service Kit, Axle Set , Includes Key Nos. 2-6, 9, 51		21	60556-XXX	Bottom Cap, <i>See Selection Guide on Page 3</i>	4
	60632-019	QUIK-ALIGN Collar Service Kit One Wheel End , Includes Key Nos. 2-6		22		Top Pad	4
	60632-018	QUIK-ALIGN Fastener Service Kit One Wheel End , Includes Key Nos. 4-6			65289-000	Drum Brakes	
2		**QUIK-ALIGN Concentric Collar	4		65289-XXX	Disc Brakes, <i>See Selection Guide on Page 3</i>	
3		**QUIK-ALIGN Eccentric Collar	4	23		Longitudinal Torque Rod Assembly	4
4		**1.0"-14 UNF-2A H-Coat 7 1/2" Hex Bolt	4			<i>See Selection Guide on Page 3</i>	
5		**1.0" H-Coat Flat Washer,	8	a	67428-XXX	w/Drum Brakes	
6		**1.0"-14 UNF-2B H-Coat Locknut	4	b	67219-XXX	w/Disc Brakes	
7		U-beam Assembly, Includes Key Nos. 9-10			49176-032	Longitudinal Torque Rod Bolt Service Kit , One Torque Rod, Includes Key Nos. 24-26	
	67249-004	Front	1	24		**5/8"-11 UNC-2B 8.0" Bolt	16
	67249-003	Rear	1	25		**5/8" Flat Washer	32
8	69565-001	U-beam Assembly Enhancement Aftermarket Service Kit, Axle Set , <i>See page 5 for contents</i>		26		**5/8"-11 UNC-2A Locknut	16
9		**QUIK-ALIGN Pivot Bushing	4	27	49689-000	Shim (As Required)	
	34013-107	Single D-Pin Bushing Service Kit , Includes Key Nos. 10, 11a, 12-13		28	72000-560C	***ULTRA ROD® PLUS™ Transverse Torque Rod Assembly, Includes Bushing	2
	34013-116	Includes Key Nos. 10, 11b, 12-13		29	64400-002	ULTRA ROD PLUS Bushing - Straddle Bar Pin	4
	34013-117	Includes Key Nos. 10, 11c, 12-13		30	22186-000	Transverse Torque Rod Frame Bracket	2
10		**D-Pin Bushing	4	31	60593-000	Frame Mounted Axle Stop	4
		D-Pin Fastener Service Kit, Axle Set		32	60665-011	Shock Absorber	4
	56659-009	Includes Key Nos. 11a, 12-13		33	67463-002	Upper Shock Frame Bracket	4
	56659-013	Includes Key Nos. 11b, 12-13			50754-029	Single Shock Fastener Service Kit , Includes Key Nos. 34-39	
	56659-012	Includes Key Nos. 11c, 12-13		34		**3/4"-10 UNC 4 1/4" Upper Shock Bolt	4
11		**3/4"-16 UNF Bolt	8	35		**3/4" Flat Washer	4
a		Length 5.0"		36		**3/4"-10 UNC Locknut	4
b		Length 5 1/2"		37		**5/8"-11 UNC 7.0" Lower Shock Bolt	4
c		Length 4 3/4"		38		**5/8" Flat Washer	8
12		**3/4" Flat Washer	16	39		**5/8"-11 UNC Locknut	4
13		**3/4"-16 UNF Locknut	8	40	60921-000	Height Control Valve Linkage Bracket	1
	60961-744	Single Air Spring Service Kit , Includes Key Nos. 14-17		41	64508-XXX	S-cam Support Bracket, <i>See part no. on component</i>	4
14	67247-002	Air Spring Assembly, Includes Upper Frame Bracket	4		58821-017	S-cam Fastener Service Kit, Axle Set , Includes Key Nos. 42-47	
15	60911-002	Lower Air Spring Mounting Bracket	4	42		**3/8"-16 UNC 1 1/4" Hex Bolt	8
	49177-006	Lower Air Spring Fastener Service Kit, Single , Includes Key Nos. 16-17		43		**3/8" Hardened Washer	16
16		**1 1/2" Flat Washer	8	44		**3/8"-16 UNC Locknut	8
17		**1 1/2"-13 UNC Locknut	8	45		**5/16" S-Cam U-bolt	4
		U-bolt Service Kit, One Wheel End		46		**5/16" Hardened Washer	16
	48718-129	Includes Key Nos. 18a, 19-20		47		**5/16"-18 UNC Locknut	8
	48718-130	Includes Key Nos. 18b, 19-20		48	65139-003	Axle Spacer - 8 1/2" Ride Height, PAX 262S only	4
18		**3/4" Square U-bolt	8	49		****Torque Rod Spacer	4
a		10" Ride Height - Length 8 7/8"				<i>See Selection Guide on Page 3</i>	
b		8 1/2" Ride Height - Length 10 3/8"		50	70867-001	P-80 Bushing Lubricant - 10 ml. per Bushing 1 (not shown)	1

NOTES * Quantities specified are shown for tandem suspension. Adjust quantities for single or tridem suspensions. Quantities of service kit components may vary from amount shown in lists.

** Item included in assembly / kit only, part not sold separately.

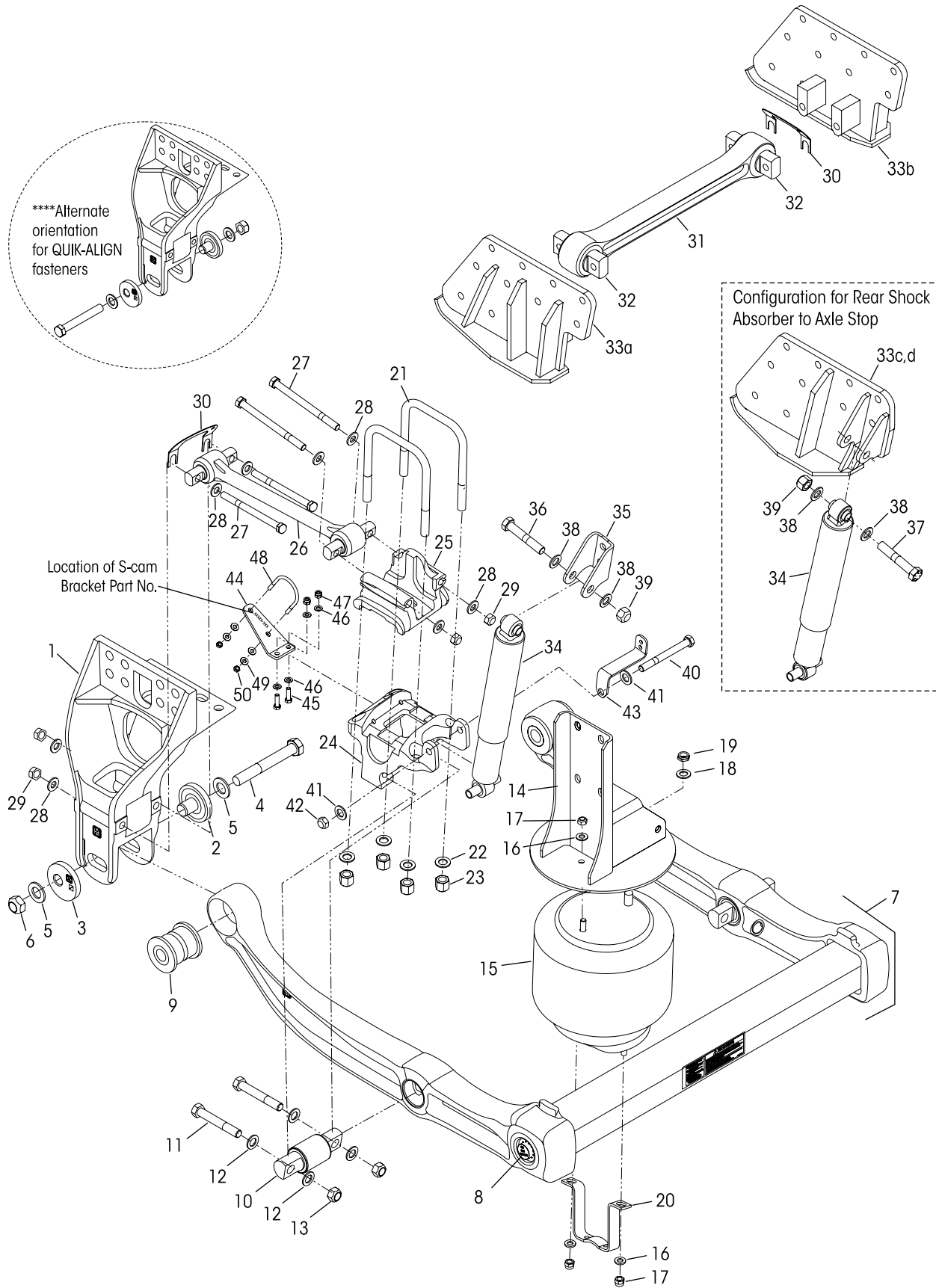
*** Transverse torque rods are mandatory for the PRIMAAX EX•PRIMAAX suspensions regardless of axle spacing, see Lit. No. 59310-004 for more information.

**** Not supplied by Hendrickson, used for reference only. Refer to the vehicle manufacturer for more information.

***** Alternate configuration of the QUIK-ALIGN fasteners. The locknuts located inboard will allow additional clearance for wider tires or tires with chains. Tightening is still required ONLY on the locknut.



■ 15½" Ride Height





PRIMAAX® EX 232T / 262T for Kenworth Vehicles

KEY NO.	PART NO.	DESCRIPTION	*NO.REQ.	KEY NO.	PART NO.	DESCRIPTION	*NO.REQ.
1		Frame Hanger		21		**3/4" Square U-bolt - Length 8 7/8"	4
	67299-001	Left Hand	1	22		**3/4" Flat Washer	8
	67299-002	Right Hand	1	23		**3/4"-1.6 UNF U-bolt Locknut	8
	60961-720	QUIK-ALIGN Pivot Bushing Service Kit, One Wheel End , Includes Key Nos. 2-6, 9, 51		24	60556-025	Bottom Cap	2
	60632-020	QUIK-ALIGN Pivot Bushing Service Kit, Axle Set , Includes Key Nos. 2-6, 9, 51		25	65289-000	Top Pad	2
	60632-019	QUIK-ALIGN Collar Service Kit One Wheel End , Includes Key Nos. 2-6		26	62011-415N	Longitudinal Torque Rod Assembly	2
	60632-018	QUIK-ALIGN Fastener Service Kit One Wheel End , Includes Key Nos. 4-6			49176-032	Longitudinal Torque Rod Bolt Service Kit One Torque Rod , Includes Key Nos. 27-29	
2		**QUIK-ALIGN Concentric Collar	2	27		**5/8"-1.1 UNC 8.0" Bolt	8
3		**QUIK-ALIGN Eccentric Collar	2	28		**5/8" Flat Washer	16
4		**1.0"-1.4 UNF-2A H-Coat 7 1/2" Hex Bolt	2	29		**5/8"-1.1 UNC Locknut	8
5		**1.0" H-Coat Flat Washer	4	30	49689-000	Shim (As Required)	
6		**1.0"-1.4 UNF-2B H-Coat Locknut	2	31	72000-560C	**ULTRA ROD® PLUS™ Transverse Torque Rod Assembly, Includes Bushing	1
7	67249-004	U-beam Assembly, Includes Key Nos. 9-10	1	32	64400-002L	ULTRA ROD PLUS Bushing - Straddle Bar Pin	2
8	69565-001	U-beam Assembly Enhancement Aftermarket Service Kit, Axle Set , See page 5 for contents		33		Axle Stop	
9		**QUIK-ALIGN Pivot Bushing	2	a	70171-000	Left Hand Front	1
	34013-117	Single D-Pin Bushing Service Kit Includes Key Nos. 10-13		b	70172-000	Right Hand Front	1
10		**D-Pin Bushing	2	c	70173-000	Left Hand Rear, Includes Upper Shock Bracket	1
	56659-012	D-Pin Fastener Service Kit, Axle Set Includes Key Nos. 11-13		d	70174-000	Right Hand Rear, Includes Upper Shock Bracket	1
11		**3/4"-1.6 UNF 4 3/4" Bolt	4	34	60665-011	Shock Absorber	2
12		**3/4" Flat Washer	8	35	59423-001	Upper Shock Frame Bracket, Front Axle	2
13		**3/4"-1.6 UNF Locknut	4		50754-012	Shock Fastener Service Kit for Two Shocks , Front, works w/Key No. 33a, 33b Includes Key Nos. 36, 38-42	
14		Upper Air Spring Bracket Assembly	2		50754-007	Shock Fastener Service Kit for Two Shocks , Rear, works w/Key Nos. 33c, 33d Includes Key Nos. 37-42	
	69932-002	PRIMAAX 232T		36		**3/4"-1.0 UNC 3 3/4" Upper Shock Bolt	2
	69932-003	PRIMAAX 262T		37		**3/4"-1.0 UNC 4 1/4" Upper Shock Bolt	2
		Single Air Spring Assembly Service Kit , Includes Key Nos. 15-20		38		**3/4" Flat Washer	4
	69951-003	PRIMAAX EX 232T		39		**3/4"-1.0 UNC Locknut	2
	69882-003	PRIMAAX EX 262T		40		**5/8"-1.1 UNC 6.0" Lower Shock Bolt	2
15		Air Spring Assembly	2	41		**5/8" Flat Washer	4
	67391-002	PRIMAAX EX 232T		42		**5/8"-1.1 UNC Locknut	2
	67044-002	PRIMAAX EX 262T		43	60921-000	Height Control Valve Linkage Bracket	1
	49177-006	Lower Air Spring Fastener Service Kit, Single , Includes Key Nos. 16-17		44	64508-XXX	S-cam Support Bracket, See part no. on component	2
	49177-023	Upper/Lower Air Spring Fastener Service Kit, Single , Includes Key Nos. 16-19			58821-017	S-cam Fastener Service Kit, Axle Set , Includes Key Nos. 45-50	
16		**1/2" Flat Washer	6	45		**3/8"-1.6 UNC 1 1/4" Hex Bolt	8
17		**1/2"-1.3 UNC Locknut	6	46		**3/8" Hardened Washer	16
18		**3/4" Flat Washer	2	47		**3/8"-1.6 UNC Locknut	8
19		**3/4"-1.6 UNF Locknut	2	48		**5/16" S-Cam U-bolt	4
20	60911-002	Lower Air Spring Mounting Bracket	2	49		**5/16" Hardened Washer	16
	48718-129	U-bolt Service Kit, One Wheel End Includes Key Nos. 21-23		50		**5/16"-1.8 UNC Locknut	8
				51	70867-001	P-80 Bushing Lubricant - 10 ml. per Bushing 1 (not shown)	

NOTES * Quantities specified are shown for single suspension. Adjust quantities for tandem or tridem suspensions. Quantities of service kit components may vary from amount shown in lists.

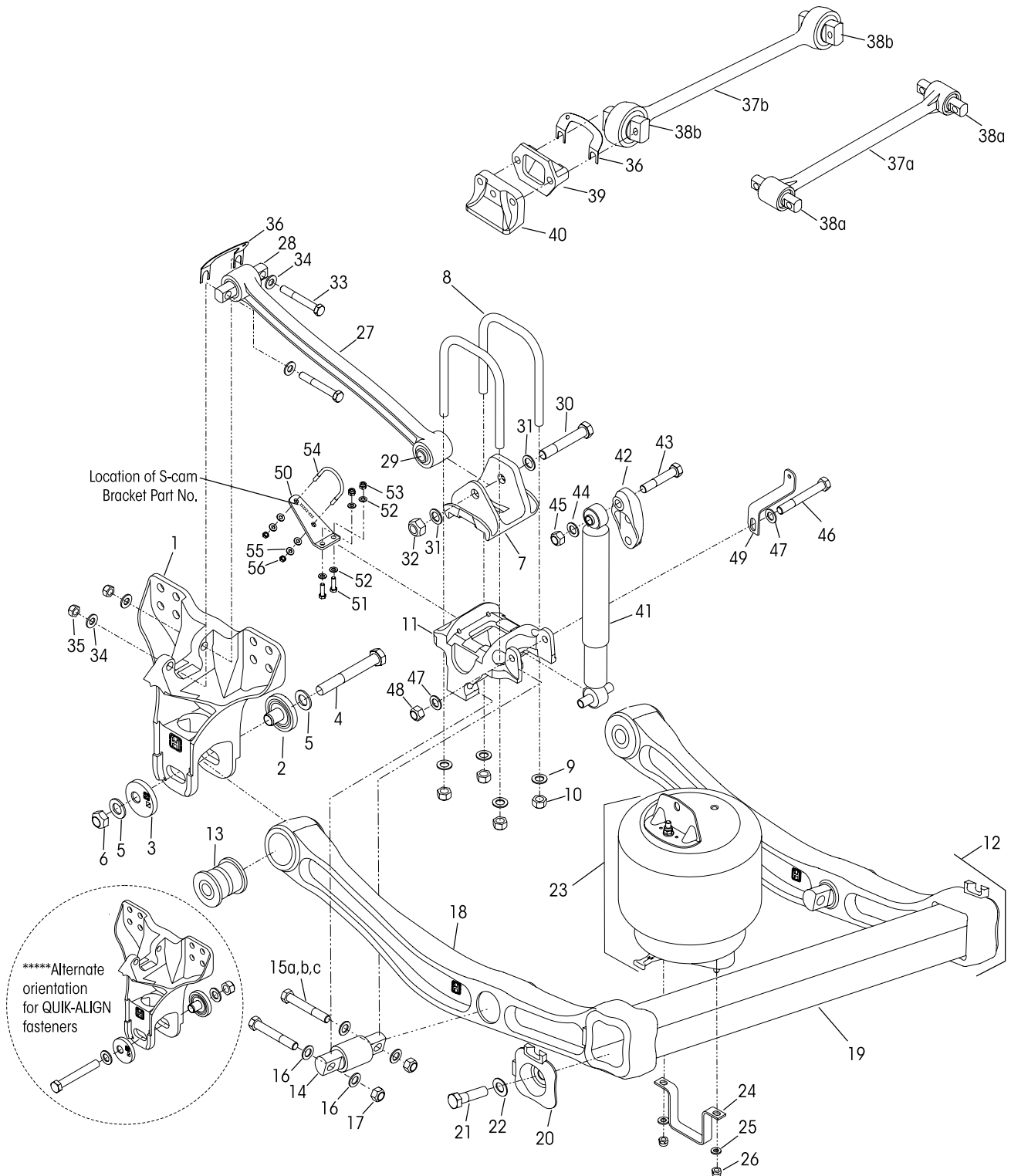
** Item included in assembly / kit only, part not sold separately.

*** Transverse torque rods are mandatory for the PRIMAAX EX*PRIMAAX suspensions regardless of axle spacing, see Lit. No. 59310-004 for more information.

**** Alternate configuration of the QUIK-ALIGN fasteners. The locknuts located inboard will allow additional clearance for wider tires or tires with chains. Tightening is still required ONLY on the locknut.



■ 10" Ride Height





PRIMAAX® 230/460/690 for Kenworth Vehicles

KEY NO.	PART NO.	DESCRIPTION	*NO.REQ.	KEY NO.	PART NO.	DESCRIPTION	*NO.REQ.
1	60821-001	Frame Hanger	4	24	60911-000	Lower Air Spring Mounting Bracket	4
	60961-720	QUIK-ALIGN Pivot Bushing Service Kit, One Wheel End , Includes Key Nos. 2-6, 13, 57			49177-006	Lower Air Spring Fastener Service Kit, Single , Includes Key Nos. 25-26	
	60632-020	QUIK-ALIGN Pivot Bushing Service Kit, Axle Set , Includes Key Nos. 2-6, 13, 57		25		**1/2" Flat Washer	8
	60632-019	QUIK-ALIGN Collar Service Kit One Wheel End , Includes Key Nos. 2-6		26		**1/2"-13 UNC Locknut	8
	60632-018	QUIK-ALIGN Fastener Service Kit One Wheel End , Includes Key Nos. 4-6		27		Longitudinal Torque Rod Assembly, Includes Key Nos. 28-29, <i>See Selection Guide on Pg. 3</i>	4
2		**QUIK-ALIGN Concentric Collar	4	28	69210-000H	Bushing - Straddle Bar Pin - 3/4" Holes	4
3		**QUIK-ALIGN Eccentric Collar	4	29	47692-000L	Torque Rod Bushing - Thru Holes	4
4		**1.0"-14 UNF-2A H-Coat 7 1/2" Hex Bolt	4		49176-008	Longitudinal Torque Rod Fastener Service Kit, Axle Set , Includes Key Nos. 30-35	
5		**1.0" H-Coat Flat Washer	8	58821-012		Longitudinal Torque Rod Rear Bolt Service Kit, One Torque Rod , Includes Key Nos. 30-32	
6		**1.0"-14 UNF-2B H-Coat Locknut	4	30		**7/8"-14 UNF-2A 5 1/2" Hex Bolt	4
7	60877-001	Top Pad	4	31		**7/8" H-Coat Flat Washer	8
	48718-108	U-bolt Service Kit, One Wheel End , Includes Key Nos. 8-10		32		**7/8"-14 UNF-2B Locknut	4
8		**3/4" Square U-bolt - Length 8 7/8"	8	33		**3/4"-16 UNF-2A 3 3/4" Hex Bolt	8
9		**3/4" Flat Washer	16	34		**3/4" Flat Washer	16
10		**3/4"-16 UNF U-bolt Locknut	16	35		**3/4"-16 UNF-2B Locknut	8
11	60556-XXX	Bottom Cap, <i>See Selection Guide on Page 3</i>	4	36	49689-000	Shim (As Required)	
12		****U-beam Assembly, Includes Key Nos. 13-14, 18-19, <i>Replaces previous U-beam assembly, support beam and cross tube assembly, see Page 18</i>		37		***Transverse Torque Rod Assembly	
13		**QUIK-ALIGN Pivot Bushing	4	a	67428-565	ULTRA ROD®, Includes Key No. 38a <i>Replaces 62000-565</i>	2
	34013-107	Single D-pin Bushing Service Kit Includes Key Nos. 14, 15a, 16-17		b	72000-560C	ULTRA ROD® PLUS™, Includes Key No. 38b MANDATORY on vehicles operated in Mexico, otherwise optional	2
	34013-116	Includes Key Nos. 14, 15b, 16-17		38		Bushing - Straddle Bar Pin	4
	34013-117	Includes Key Nos. 14, 15c, 16-17		a		**ULTRA ROD Bushing	
14		**D-Pin Bushing	4	b	64400-002	ULTRA ROD PLUS Bushing	
		D-Pin Fastener Service Kit, Axle Set		39	22186-000	Transverse Torque Rod Frame Bracket	2
	56659-009	Includes Key Nos. 15a, 16-17		40	60593-000	Frame Mounted Axle Stop	4
	56659-013	Includes Key Nos. 15b, 16-17		41	60657-003	Shock Absorber, <i>Replaces 60657-005</i>	4
	56659-012	Includes Key Nos. 15c, 16-17		42	67463-002	Upper Shock Frame Brkt, <i>Replaces 65000-002</i>	4
15		**3/4"-16 UNF Bolt	8		50754-030	Single Shock Fastener Service Kit Includes Key Nos. 43-48	
a		Length 5.0"		43		**3/4"-10 UNC 4 1/4" Upper Shock Bolt	4
b		Length 5 1/2"		44		**3/4" Flat Washer	4
c		Length 4 3/4"		45		**3/4"-10 UNC Locknut	4
16		**3/4" Flat Washer	16	46		**5/8"-11 UNC 6.0" Lower Shock Bolt	4
17		**3/4"-16 UNF Locknut	8	47		**5/8" Flat Washer	8
18		****Support Beam Assembly (66435-, <i>see replacement guide on Page 18</i>)		48		**5/8"-11 UNC-2B Locknut	4
19		****Cross Tube (60912-001, <i>see replacement guide on Page 18</i>)		49	60921-000	Height Control Valve Linkage Bracket	1
	46772-001	End Cap and Fastener Kit, Axle Set Includes Key Nos. 20-22		50	64508-000	S-cam Support Bracket, <i>See part no. on component</i>	4
20		**End Cap	4		58821-017	S-cam Fastener Service Kit, Axle Set , Includes Key Nos. 51-56	
21		**7/8"-9 UNC 3 1/2" Hex Bolt	4	51		**3/8"-16 UNC 1 1/4" Hex Bolt	8
22		**7/8" H-Coat Flat Washer	4	52		**3/8" Hardened Washer	16
	60961-062	Single Air Spring Service Kit , Includes Key Nos. 23-26		53		**3/8"-16 UNC Locknut	8
23	60271-002L	Air Spring Assembly, Includes Upper Frame Bracket	4	54		**5/16" S-Cam U-bolt	4
				55		**5/16" Hardened Washer	16
				56		**5/16"-18 UNC Locknut	8
				57	70867-001	P-80 Bushing Lubricant - 10 ml. per Bushing 1 (not shown)	

NOTES * Quantities specified are shown for tandem suspension. Adjust quantities for single or tridem suspensions. Quantities of service kit components may vary from amount shown in lists.

** Item included in assembly / kit only, part not sold separately.

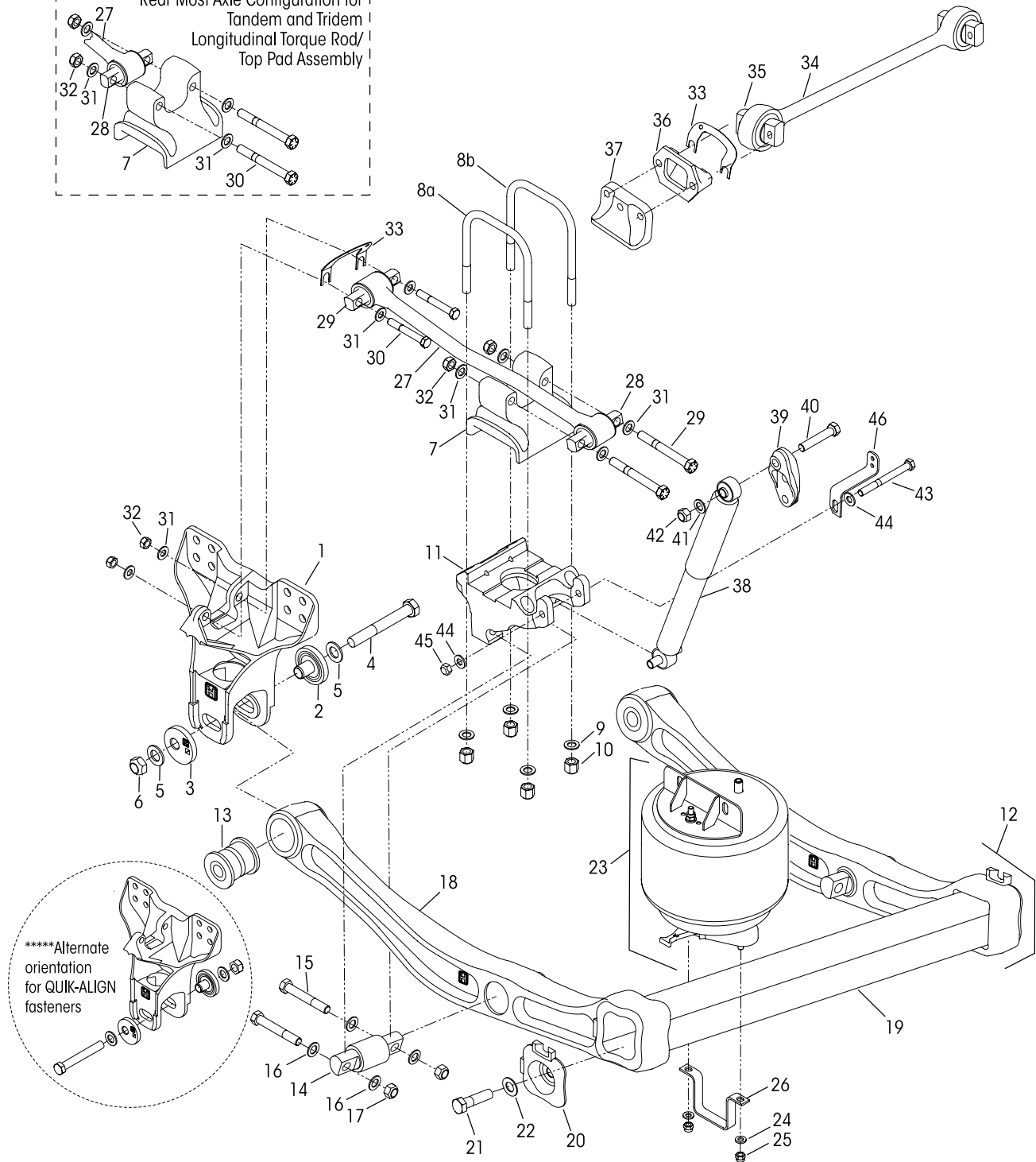
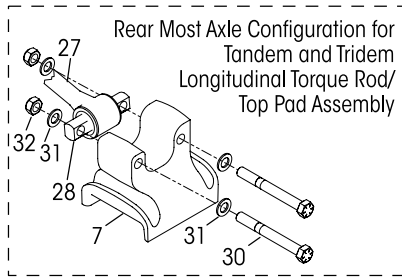
*** Transverse torque rods are mandatory for the PRIMAAX EX•PRIMAAX suspensions regardless of axle spacing, see Lit. No. 59310-004 for more information.

**** No longer available for service, see replacement guide below. For more information, refer to Hendrickson Technical Bulletin, Lit. No. SEU-0229 or contact Hendrickson Tech Services.

***** Alternate configuration of the QUIK-ALIGN fasteners. The locknuts located inboard will allow additional clearance for wider tires or tires with chains. Tightening is still required ONLY on the locknut.



■ 10" Ride Height





KEY NO.	PART NO.	DESCRIPTION	*NO.REQ.	KEY NO.	PART NO.	DESCRIPTION	*NO.REQ.
1	60821-001	Frame Hanger	4	20		**End Cap	4
	60961-720	QUIK-ALIGN Pivot Bushing Service Kit, One Wheel End , Includes Key Nos. 2-6, 13, 47		21		**7/8"-9 UNC 3 1/2" Hex Bolt	4
	60632-020	QUIK-ALIGN Pivot Bushing Service Kit, Axle Set , Includes Key Nos. 2-6, 13, 47		22		**7/8" H-Coat Flat Washer	4
	60632-019	QUIK-ALIGN Collar Service Kit One Wheel End , Includes Key Nos. 2-6			60961-118	Single Air Spring Service Kit , Includes Key Nos. 23-26	
	60632-018	QUIK-ALIGN Fastener Service Kit One Wheel End , Includes Key Nos. 4-6		23	66255-002	Air Spring Assembly, Includes Upper Frame Bracket	4
2		**QUIK-ALIGN Concentric Collar	4		49177-006	Lower Air Spring Fastener Service Kit, Single , Includes Key Nos. 24-25	
3		**QUIK-ALIGN Eccentric Collar	4	24		**1/2" Flat Washer	12
4		**1.0"-14 UNF-2A H-Coat 7 1/2" Hex Bolt	4	25		**1/2"-13 UNC Locknut	12
5		**1.0" H-Coat Flat Washer	8	26	60911-000	Lower Air Spring Mounting Bracket	4
6		**1.0"-14 UNF-2B H-Coat Locknut	4	27	66359-XXX	Longitudinal Torque Rod Assembly, <i>See Selection Guide on Page 4</i>	4
7		Top Pad, <i>See Illustration on Page 4</i>	4	28	69210-000H	Bushing - Straddle Bar Pin (3/4" Holes)	8
	65210-001	Meritor Straight Side			49176-017	Torque Rod Fastener Service Kit, Axle Set , Includes Key No. 29-32	
	65210-002	Dana Straight Side		29		**3/4"-16 UNF 6.0" Hex Bolt	8
	65210-003	Meritor Transition Side		30		**3/4"-16 UNF 3 3/4" Hex Bolt	8
	65210-004	Dana Transition Side		31		**3/4" Flat Washer	32
	48718-120	U-bolt Service Kit, One Wheel End , Includes Key Nos. 8a-8b, 9-10		32		**3/4"-16 UNF Locknut	16
8		**3/4" Square U-bolt	8	33	49689-000	Shim (As Required)	
a		Outboard - Length 10.0"		34	72000-560C	**ULTRA ROD® PLUS™ Transverse Torque Rod Assembly, Includes Bushing	2
b		Inboard - Length 10 1/2"		35	64400-002L	Bushing - Straddle Bar Pin - 5/8" Holes	4
9		**3/4" Flat Washer	16	36	22186-000	Transverse Torque Rod Frame Bracket	2
10		**3/4"-16 UNF U-bolt Locknut	16	37	60593-000	Frame Mounted Axle Stop	4
11	65208-XXX	Bottom Cap, <i>See Selection Guide on Page 4</i>	4	38		Shock Absorber	4
12		****U-beam Assembly, Includes Key Nos. 13-14, 18-19 (<i>Replaces previous U-beam assembly, support beam and cross tube assembly, see Page 18</i>)			60665-013	For vehicles with Drum Brakes only	
					60665-015	For vehicles with Disc Brakes only	
13		**QUIK-ALIGN Pivot Bushing	4	39	67463-002	Upper Shock Frame Bracket, <i>Replaces 65000-002</i>	4
	34013-114	Single D-Pin Bushing Service Kit , Includes Key Nos. 14-17			50754-029	Single Shock Fastener Service Kit , Includes Key Nos. 40-45	
14		**D-Pin Bushing	4	40		**3/4"-10 UNC 4 1/4" Upper Shock Bolt	4
	56659-010	D-Pin Fastener Service Kit, Axle Set , Includes Key Nos. 15-17		41		**3/4" Flat Washer	4
15		**7/8"-14 UNF 5.0" Bolt	8	42		**3/4"-10 UNC Locknut	4
16		**7/8" Flat Washer	16	43		**5/8"-11 UNC 7.0" Lower Shock Bolt	4
17		**7/8"-14 UNF Locknut	8	44		**5/8" Flat Washer	8
18		****Support Beam Assembly (66435-, <i>see replacement guide on Page 18</i>)		45		**5/8"-11 UNC Locknut	4
19		****Cross Tube (60912-001, <i>see replacement guide on Page 18</i>)		46	60921-000	Height Control Valve Linkage Bracket	2
	46772-001	End Cap and Fastener Kit, Axle Set , Includes Key Nos. 20-22		47	70867-001	P-80 Bushing Lubricant - 10 ml. per Bushing 1 (not shown)	

NOTES * Quantities specified are shown for tandem suspension. Adjust quantities for single or tridem suspensions. Quantities of service kit components may vary from amount shown in lists.

** Item included in assembly / kit only, part not sold separately.

*** Transverse torque rods are mandatory for the PRIMAAX EX•PRIMAAX suspensions regardless of axle spacing, see Lit. No. 59310-004 for more information.

**** No longer available for service, see replacement guide below. For more information, refer to Hendrickson Technical Bulletin, Lit. No. SEU-0229 or contact Hendrickson Tech Services.

***** Alternate configuration of the QUIK-ALIGN fasteners. The locknuts located inboard will allow additional clearance for wider tires or tires with chains. Tightening is still required ONLY on the locknut.




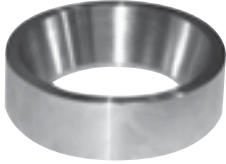


■ Aftermarket Service Kits

Support Beam and Cross Tube Replacement Guide

		DISCONTINUED		NEW	
Pages 15 & 17 Key Nos. 12, 18 & 19		Support Beam Assembly Part Numbers 60831-00X • 66435-00X		Cross Tube Part Number	U-beam Assembly Service Kit Number
RIDE HEIGHT	DRIVE AXLE	LEFT HAND	RIGHT HAND		
PRIMAAX 230/460/690					
8.5"-10.0"	Forward	-003	-004	60912-001	60961-235
	Rear	-001	-002		60961-236
PRIMAAX 260/520/780					
8.5"-10.0"	Forward	-007	-008	60912-001	60961-253
	Rear	-005	-006		60961-254
	+	-001	-002	60912-001	60961-718++
NOTE:					
+ PRIMAAX 260 single axle only. Use with Dana S26-190 axle.					
++ Upper air spring bracket not included. The original bracket equipped on this vehicle can be used with the new air spring assembly included in the U-beam assembly service kit.					



■ Special Tools

PRIMAAX EX / PRIMAAX SERIES	
 <p>Service Tool No. 66086-203L QUIK-ALIGN Pivot Bushing Tool Reference Lit. No. 59310-061</p>	 <p>Service Tool No. 66086-000 Torque Rod Bushing Tool ULTRA ROD PLUS</p>
 <p>Service Tool No. 66086-200 1767 QUIK-ALIGN Socket Tool Hendrickson OTC</p>	 <p>Service Tool No. 66086-201 1768 QUICK Wrench Tool Hendrickson OTC</p>

This is a general parts list to provide directional information. Components may vary by model. Questions in regards to parts, contact Hendrickson Truck Parts at 1.866.755.5968 (Toll-free U.S. and Canada), 1.630.910.2800 (Outside U.S. and Canada) or e-mail: truckparts@hendrickson-intl.com.

www.hendrickson-intl.com



Truck Commercial Vehicle Systems
800 South Frontage Road
Woodridge, IL 60517-4904 USA

1.866.755.5968 (Toll-free U.S. and Canada)
1.630.910.2800 (Outside U.S. and Canada)
Fax 1.630.910.2899